



## Genspec<sup>®</sup> GS4600

Universal Pressure Transmitter

- Piezoresistive silicon sensor technology for high performance
- Absolute, Gauge and Vacuum pressure ranges
- Accuracy rating 0.30 % of span BFSL
- Pressure ranges from 0.5 bar to 100 bar
- Adjustable zero and span access - DIN connector version only



Flexible modular design for universal applications



Robust 316 grade stainless steel construction



Excellent corrosion resistance over a wide variety of industrial processes



Cost effective solution for moderate quantity orders

## Specifications

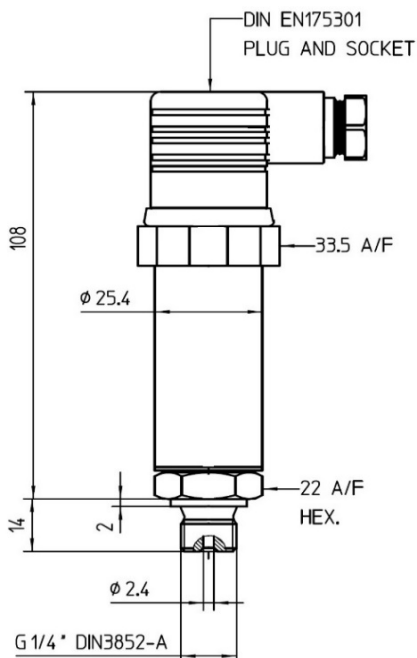
The **GS4600** series of general purpose industrial pressure transmitters offers high performance pressure measurement up to 100 bar. Available in both Absolute and Gauge pressure ranges, the modular design of the GS4600 series means the product configuration can be adapted to provide cost effective and reliable solutions for moderate sized customer requirements

**Typical applications include:**

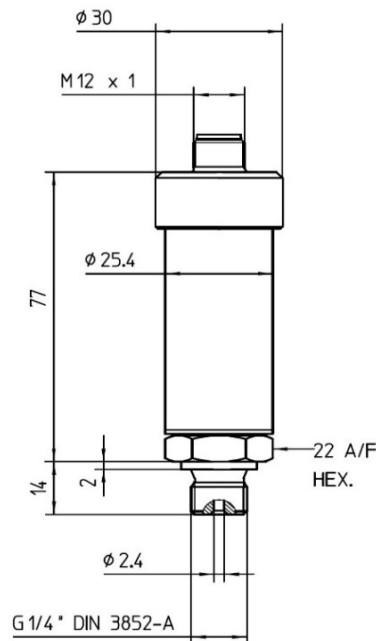
- Industrial processes and machine engineering
- Environmental engineering (waste water management, recycling, renewables)
- Pneumatic systems
- OEM solutions

## Dimensions (in mm)

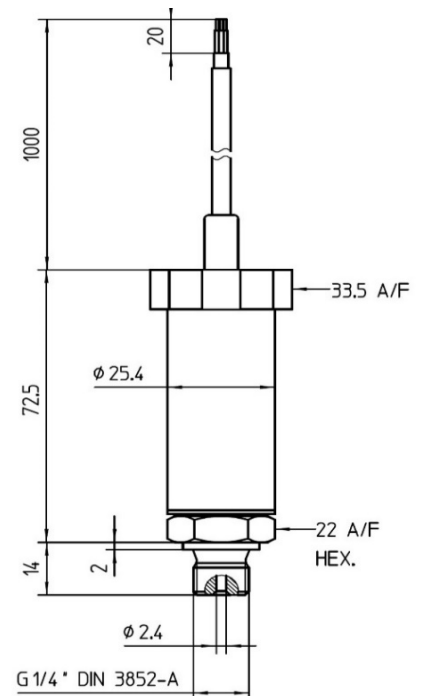
DIN Connection



M12 Connection



Cable Outlet



## Electrical Connections

DIN Connection

Pin No.	mA		VDC
	2 wire	3 wire	4 wire
1	+supply	-supply	-supply
2	lout	+supply	+supply
3	N/C	+output	+output
⊥	to case	to case	-output

M12 Connection

Pin No.	mA		VDC
	2 pin	3 pin	4 pin
1	+supply	-supply	-supply
2	N/C	+supply	+supply
3	lout	+output	+output
4	N/C	N/C	-output

Cable Outlet

Wire Colour	mA		VDC
	2 wire	3 wire	4 wire
Red	+supply	+supply	+supply
Green	N/C	+output	+output
Yellow	N/C	N/C	-output
Blue	lout	-supply	-supply

## Technical Data

Type	GS4600	GS4602/GS4612	GS4603/GS4613
Sensor Technology:	Isolated Piezoresistive Silicon		
Output Signal:	4-20 mA	0-5 VDC (4 or 3 wire)	0-10 VDC (4 or 3 wire)
Supply Voltage:	10-36 VDC	10-30 VDC	13-30 VDC
Pressure Reference:	Absolute, Gauge, or Vacuum		
Protection of Supply Voltage:	Protected against supply voltage reversal up to 50 VDC		
Standard Pressure Ranges (bar):	0 – 1 bar Vac (gauge ref only); 0 – 0.5 bar; 0 – 1 bar; 0-1.6 bar; 0-2.5 bar; 0-4 bar; 0-6 bar; 0-10 bar; 0-16 bar; 0-25 bar; 0-40 bar; 0-60 bar; 0-100 bar; (other ranges available)		
Standard Pressure Ranges (psi):	0-30 in Hg (gauge ref only); 0-7.5 psi; 0-15 psi; 0-30 psi; 0-50 psi 0-100 psi; 0-150 psi; 0-200 psi; 0-300 psi; 0-500 psi; 0-1,000 psi; 0-1,500 psi; (other ranges available)		
Overpressure Safety:	4x for ranges to 0.5 bar; 2x for all other ranges		
Load Driving Capacity:	4-20 mA: $RL < [UB - 10 \text{ VDC}] / 20 \text{ mA}$ (e.g. with supply voltage (UB) of 36 VDC, max. load (RL) is 1300 $\Omega$ ); 0-5 VDC: max. load $RL > 5 \text{ K}\Omega$ ; 0-10 VDC: max. load $RL > 10 \text{ K}\Omega$		
Accuracy NLHR:	$\leq \pm 0.30 \%$ of span BFLS		
Zero Offset and Span Tolerance:	$\pm 0.5 \%$ FS at room temperature (GS4600: $\pm 1 \text{ mV}$ ); $\pm 5 \%$ FS (approx.) adjustment with easy access trimming potentiometers on amplified versions only		
Operating Ambient Temperature:	-20°C to +85°C (-4°F to +185°F)		
Operating Media Temperature:	-20°C to +85°C (-4°F to +185°F)		
Storage Temperature:	+5°C to +40°C (+41°F to +104°F) Recommended Best Practice		
Temperature Effects:	$\pm 2.1 \%$ FS total error band for -10°C to 70°C. Typical thermal zero and span coefficients $\pm 0.05 \%$ FS/°C		
Electromagnetic Compatibility:	Emissions: EN61000-6-3; Immunity: EN61000-6-2; Certification: UKCA/ CE Marked		
Insulation Resistance:	$> 100 \text{ M}\Omega @ 50 \text{ VDC}$		
Response Time 10-90%:	1 mS		
Wetted Parts:	SAE 316 stainless steel and Nitrile NBR O-Ring		
Pressure Media:	All fluids and gases compatible with SAE 316 stainless steel and Nitrile NBR		
Pressure Connection:	1/4" NPT male; G1/4 DIN3852-A (other options available on request subject to MOQ)		
Electrical Connection:	Mating socket EN175301-803 Form A (ex DIN43650) rated IP65 with PG9 cable entry (other options available)		
Net. Weight (Kg):	0.3 Kg		

## Order Matrix

Output	Wires	Type	Options	Pressure Range	Process Connection
4-20 mA	2	GS4600			
0-5 VDC	4	GS4602			
0-5 VDC	3	GS4612			
0-10 VDC	4	GS4603			
0-10 VDC	3	GS4613			
<b>Options</b>					
DIN EN175301 plug and socket			-		
Cable outlet 1 m screened			A		
M12 connector			B		
<b>Pressure Range - Absolute</b>					
0-0.5 bar				0.5A	
0-1 bar				001A	
0-1.6 bar				1.6A	
0-2.5 bar				2.5A	
0-4 bar				004A	
0-6 bar				006A	
0-10 bar				010A	
0-16 bar				016A	
0-25 bar				025A	
0-40 bar				040A	
0-60 bar				060A	
0-100 bar				100A	
<b>Pressure Range - Gauge</b>					
0-1 bar Vac				V001	
0-0.5 bar				00.5	
0-1 bar				0001	
0-1.6 bar				01.6	
0-2.5 bar				02.5	
0-4 bar				0004	
0-6 bar				0006	
0-10 bar				0010	
0-16 bar				0016	
0-25 bar				0025	
0-40 bar				0040	
0-60 bar				0060	
0-100 bar				0100	
<b>Process Connection</b>					
1/4" NPT male					AM
G1/4 DIN3852-A					GX

**Order Number Example**

GS4600-004AAM

For options not listed please contact the sales team

**DISCLAIMER :** ESI Technology Ltd operates a policy of continuous product development. We reserve the right to change specification without prior notice. All products manufactured by ESI Technology Ltd are calibrated using precision calibration equipment, traceable to national measurement standards.