



## Genspec®GS4700

Compact Pressure Transmitter

- Piezoresistive silicon sensor technology for high performance
- Gauge or Absolute pressure ranges
- Pressure ranges from 0.5 bar to 100 bar
- Suitable for fluids and gases compatible with stainless steel



Compact and lightweight design



Wide choice of pressure connections, electrical connections, pressure ranges, output signals



Excellent corrosion resistance for a wide range of industrial media



Cost effective solution for industrial and OEM applications

## Specifications

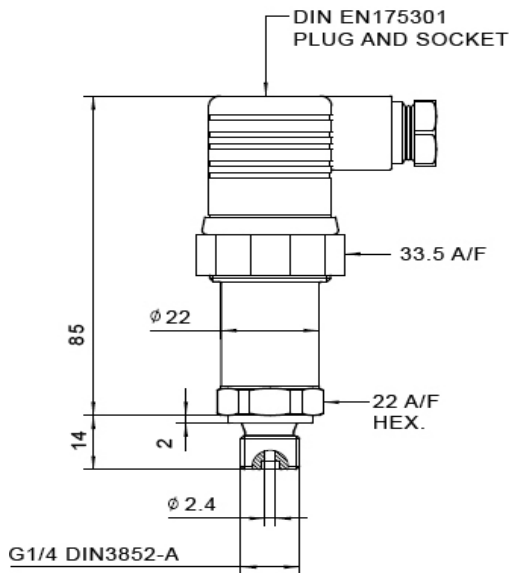
The **GS4700** series of general purpose industrial pressure transmitters offers reliable pressure measurement performance up to 100 bar. Available in both Absolute and Gauge reference, the compact design offers a flexible and cost effective solution for a wide variety of industrial applications

**Typical applications include:**

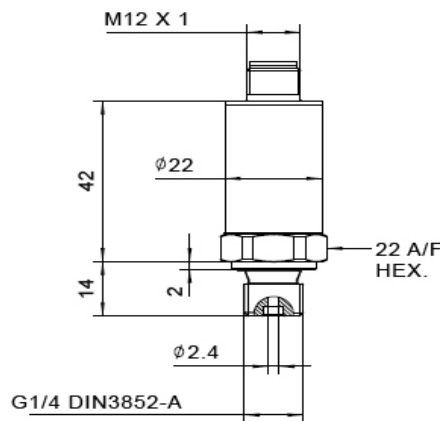
- Industrial processes and machine engineering
- Measurement of liquid and gas pressure
- Pneumatic applications
- OEM solutions

## Dimensions (in mm)

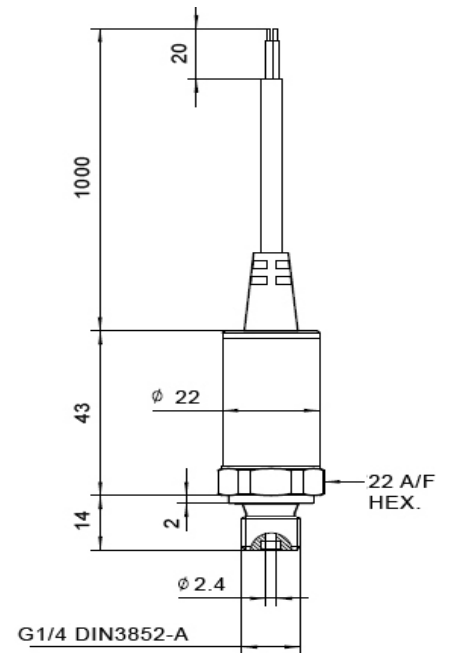
DIN Connection



M12 Connection



Cable Outlet



## Electrical Connections

DIN Connection

Pin No.	mA		VDC
	2 wire	3 wire	
1	+supply	-supply	
2	lout	+supply	
3	N/C	+output	
⊥	to case	to case	

M12 Connection

Pin No.	mA		VDC
	2 pin	3 pin	
1	+supply	-supply	
2	N/C	+supply	
3	lout	+output	
4	N/C	N/C	

Cable Outlet

Wire Colour	mA		VDC
	2 wire	3 wire	
Red	+supply	+supply	
White	N/C	+output	
Black	lout	-supply	

## Technical Data

Type	GS4700	GS4702	GS4703	GS4704
Sensor Technology:	Isolated Piezoresistive Silicon			
Output Signal:	4-20mA	0-5 VDC (3 wire)	0-10 VDC (3 wire)	0.5-4.5V ratiometric
Supply Voltage:	10-32 VDC	12-32 VDC		5 VDC $\pm$ 10% max. 6.5 VDC
Pressure Reference:	Gauge or Absolute			
Protection of Supply Voltage:	Protected against supply voltage reversal up to 50 VDC			
Standard Pressure Ranges (bar):	0 – 0.5 bar; 0 – 1 bar; 0-1.6 bar; 0-2.5 bar; 0-4 bar; 0-6 bar; 0–10 bar; 0-16 bar; 0–25 bar; 0-40 bar; 0-60 bar; 0–100 bar; (other ranges available)			
Standard Pressure Ranges (psi):	0-30 in Hg (gauge ref only); 0-7.5 psi; 0-15 psi; 0-30 psi; 0-50 psi 0-100 psi; 0-150 psi; 0-200 psi; 0-300 psi; 0-500 psi; 0-1,000 psi; 0-1,500 psi; (other ranges available)			
Overpressure Safety:	4x for ranges to 0.5 bar; 2x for all other ranges			
Load Driving Capacity:	0.5-4.5 VDC, 0-5 VDC and 0-10 VDC $\geq$ 4.7 k $\Omega$ , 4-20 mA $\leq$ (UV+ – 10 VDC) / 20 mA			
Accuracy NLHR:	$\leq \pm 0.25$ % of span BFLS			
Zero Offset and Span Tolerance:	$\pm 0.5$ %FS at room temperature			
Operating Ambient Temperature:	-20°C to +85°C (-4°F to +185°F)			
Operating Media Temperature:	-20°C to +85°C (-4°F to +185°F)			
Storage Temperature:	+5°C to +40°C (+41°F to +104°F) Recommended Best Practice			
Temperature Effects:	$\pm 2.0$ %FS total error band for -10°C to +70°C. Typical thermal zero and span coefficients $\pm 0.04$ %FS/°C			
Electromagnetic Compatibility:	Emissions: EN61000-6-3; Immunity: EN61000-6-2; Certification: UKCA/ CE Marked			
Insulation Resistance:	$> 100$ M $\Omega$ @ 35 VDC			
Response Time 10-90%:	$< 2$ mS			
Wetted Parts:	SAE 316 Stainless Steel and Nitrile NBR O-Ring			
Pressure Media:	All fluids and gases compatible with SAE 316 Stainless Steel and Nitrile NBR			
Pressure Connection:	1/4"NPT male; G1/4 DIN3852-A (other options available on request subject to MOQ)			
Electrical Connection:	Mating socket EN175301-803 Form A (ex DIN43650), M12 - DIN EN 61076 - 2-101A, Cable connection 1m (other options available on request subject to MOQ)			
Net. Weight (Kg):	DIN EN175301 approx. 110g   M12 approx. 80g   Cable output approx. 135g			

## Order Matrix

Output	Wires	Type	Options	Pressure Range	Process Connectio
4-20 mA	2	GS4700			
0-5 VDC	3	GS4702			
0-10 VDC	3	GS4703			
0.5-4.5V ratiometric	3	GS4704			
<b>Options</b>					
DIN EN175301 plug and socket			-		
Cable outlet 1m screened			A		
M12 connector			B		
<b>Pressure Range - Absolute</b>					
0-0.5 bar				0.5A	
0-1 bar				001A	
0-1.6 bar				1.6A	
0-2.5 bar				2.5A	
0-4 bar				004A	
0-6 bar				006A	
0-10 bar				010A	
0-16 bar				016A	
0-25 bar				025A	
0-40 bar				040A	
0-60 bar				060A	
0-100 bar				100A	
<b>Pressure Range - Gauge</b>					
0-0.5 bar				00.5	
0-1 bar				0001	
0-1.6 bar				01.6	
0-2.5 bar				02.5	
0-4 bar				0004	
0-6 bar				0006	
0-10 bar				0010	
0-16 bar				0016	
0-25 bar				0025	
0-40 bar				0040	
0-60 bar				0060	
0-100 bar				0100	
<b>Process Connection</b>					
1/4" NPT male					AM
G1/4 DIN3852-A					GX

### Order Number Example

GS4700A0001GX

For options not listed please contact the sales team

**DISCLAIMER** : ESI Technology Ltd operates a policy of continuous product development. We reserve the right to change specification without prior notice. All products manufactured by ESI Technology Ltd are calibrated using precision calibration equipment, traceable to national measurement standards.